



QUEZON I ELECTRIC COOPERATIVE, INC.

Brgy. Pocol, Pitogo, Quezon

Telefax: 042-318-8156

INP-2023-003

INVITATION FOR NEGOTIATED PROCUREMENT

October 13, 2023

Sealed Bids/Proposals/Quotations for the Supply and Delivery of the following item for QUEZELCO 1 shall be received by the Bids and Awards Committee until 5:00PM of October 18, 2023. The bids/proposals/quotations will be open on October 19, 2023 at 9:00AM.

Quantity	Unit	Item Description	Unit Cost (Php)	Total Amount (Php)
37	pcs	Crossarm, Fiber 3"x 4"x 3000mm. L-10'		
324	pcs	Crossarm, Fiber 3"x 4"x 2400mm. L-8'		
GRAND TOTAL				

Instruction to Bidder and Terms of Condition:

The following shall be included in the offer:

1. Warranty statement. The bidder obligates, guarantees and warrants that the items to be delivered is within the standards and specification set by the cooperative. Warranty shall be at least 1 year. Longer warranty period will be considered in the evaluation.
2. Brochure or any document showing the technical specifications of the materials offered.
3. Authorization from the manufacturer to Supply the goods valid for the current year.
4. The materials offered shall comply with the required specification (See attached)
5. Delivery period shall be within thirty (30) calendar days after receipt of Notice to Proceed.
6. The financial offer shall be listed on the space provided above.
7. The financial offer shall not exceed the total Approved Budget Cost of **Php 1,661,500.00**
8. The ABC is VAT inclusive and the bid price should be VAT inclusive.
9. Term of payment – 3 months PDC upon complete delivery.
10. Term of Delivery – FOB Pitogo.
11. Performance Bond of 5% of contracted price shall be posted within 5 days upon receipt of notice of award.
12. Price validity - 60 calendar days
13. Penalty Clause – 1/10 of 1% (0.1%) of the cost of the unperformed portion of the contract for every day of delay)

Additional Instructions:

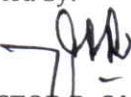
1. Please send your quotations thru email using the designated BAC email address **quezelco1_bac@yahoo.com.ph** and shall be addressed to "The Bids and Awards Committee".
2. The subject shall bear the word "**Bids for the Supply and Delivery of Fiber Crossarm for Upgrading of Steel Crossarm to Fiber at Sitio Bahay to Poblacion San Andres**"
3. The quotation shall be password protected. Password shall be sent on the day of opening (8:00 am).

QUEZELCO 1 reserves the right to reject any or all bids without offering any reason, waive any defect therein and accept the offer most advantageous to the cooperative.

For further inquiries you may contact our QUEZELCO 1 BAC Secretariat, Ms. Maria Teresa Caraig and Ms. LovelyJean Baldoz at mobile number 09688520659.


GERALD P. BAUTISTA
BAC – Chairman

Noted by:

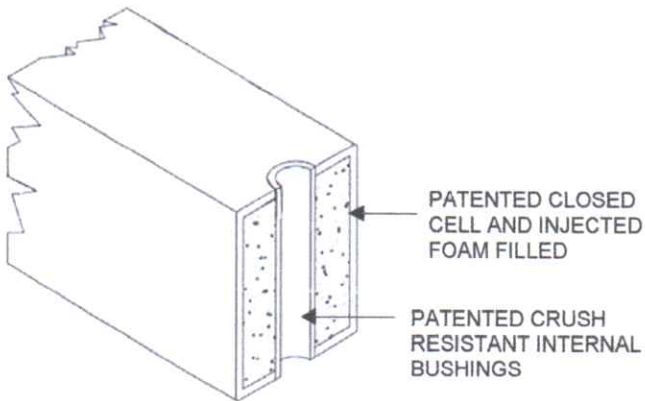

VICTOR R. CADA
Acting General Manager



SPECIFICATIONS

CROSSARM (FIBERGLASS)

- It should be manufactured using the automated Fiberglass pultrusion process and built with extra-strength bushings with protective end-caps and injected with engineered foam that bonds the beam to keep water from entering or absorbing moisture when installed in wet location.
- Fiberglass Crossarms must surpass the mechanical load test rating for vertical and horizontal mounting and go beyond the transverse and longitudinal pin torque required strength.
- Weather and Ultraviolet resistant, complies to the reference Standard Test Method such as water absorption test (ASTM D570), weather and aging test (ASTM G154), electrical impulse test and other voltage test.



STANDARD SERIES			
LENGTH (FEET)	DIMENSION (INCHES)	END CAP COLOR	WEIGHT (KG.)
8	3x4	GRAY	10.70
10			13.38

PREPARED BY:


LARRY G. ILUSTRE
PD/LCR Supervisor

CHECKED BY:


GERALD P. BAUTISTA
Engineering Department Manager

QUEZON I ELECTRIC COOPERATIVE, INC.

Brgy. Pootol, Pitogo, Quezon

Accreditation Requirements

Name of Company/Supplier/Representative: _____

Address: _____

Contact Number : _____

EMAIL ADD: _____

DOCUMENTS		
1	DTI Registration name registration or SEC Registration Certificate	
2	Valid and current Mayor's Permit/Municipal License	
3	Taxpayer's Identification Number,	
4	BIR Value Added Tax Registration	
5	Certification that the bidder is not "blacklisted" or banned from bidding by the government or any of its agencies, officers, corporation or LGU's and other private corporations or electric cooperatives	
6	Compliance with EO # 398	
	a.) Proof of VAT Payments for the past six months	
	b.) Tax Clearance for the last two quarters	
7	On-going, completed or awarded contract not yet started within the relevant period specifying the following:	
	a. Name of contract	
	b. Date of contract	
	c. Amount of the contract and value of outstanding contracts	
	d. Date of delivery	
	e. End user's acceptance if completed	
8	Company Profile	
9	Latest Income Tax Return	
10	Complete set of Audited Financial Statements, stamped "received" by the BIR or its duly accredited and authorized institutions, for the immediately preceding calendar year, showing, among others, the prospective bidder's total and current assets and liabilities	
11	Articles of Incorporation, Partnership or Cooperation, whichever is applicable	
12	A certification under oath from the bidders responsible officers that the bidders is free and clear of all liabilities with the government	
13	Valid Registration with Philippine Contractor Accreditation Board (PCAB) with specialization in electrical works and with at least small B size range Classification (C and D category)- for contractor only	

Email Address:

quezelco1_bac@yahoo.com.ph